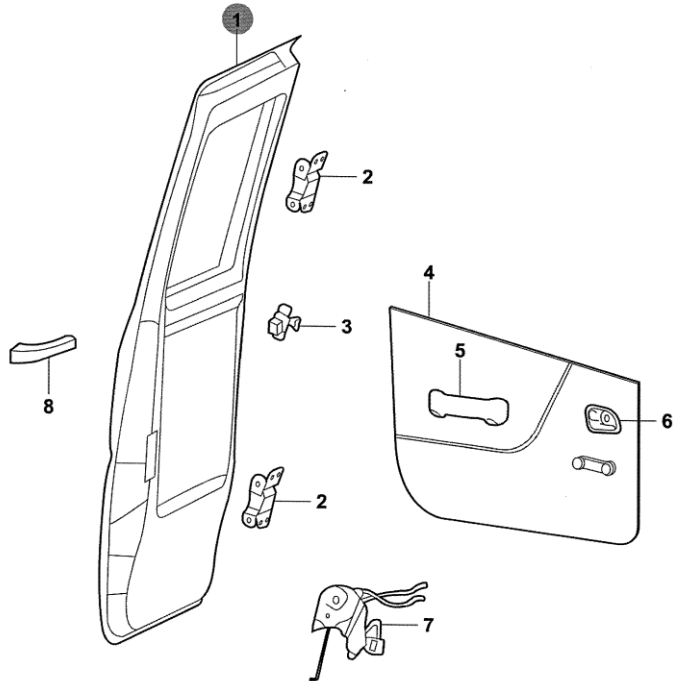




95102-30



95102-30 RR DOOR AND INNER TRIM (double cab)			
1	MS201070-0100	PANEL ASSY, RR DOOR, LH	1
1	MS201070-0200	PANEL ASSY, RR DOOR, RH	1
2	MS201070-4200	HINGE, RR DOOR, LH	2
2	MS201070-4300	HINGE, RR DOOR, RH	2
3	MS201070-4700	STOPPER, RR DOOR OPENING	2
4	MS201070-1100	TRIM BOARD ASSY, RR DOOR, LH	1
4	MS201070-1200	TRIM BOARD ASSY, RR DOOR, RH	1
5	M201057-0501	HANDLE ASSY, DOOR OPEN, LH	1
5	M201057-1501	HANDLE ASSY, DOOR OPEN, RH	1
6	M201057-0401	HANDLE ASSY, DOOR INNER, LH	1
6	M201057-1401	HANDLE ASSY, DOOR INNER, RH	1
7	MS201070-1800	LOCK ASSY, RR DOOR, LH	1
7	MS201070-1900	LOCK ASSY, RR DOOR, RH	1
8	M201057-2400	HANDLE ASSY, FR DOOR OUTER, LH	1
8	M201057-2500	HANDLE ASSY, FR DOOR OUTER, RH	1

2013-11