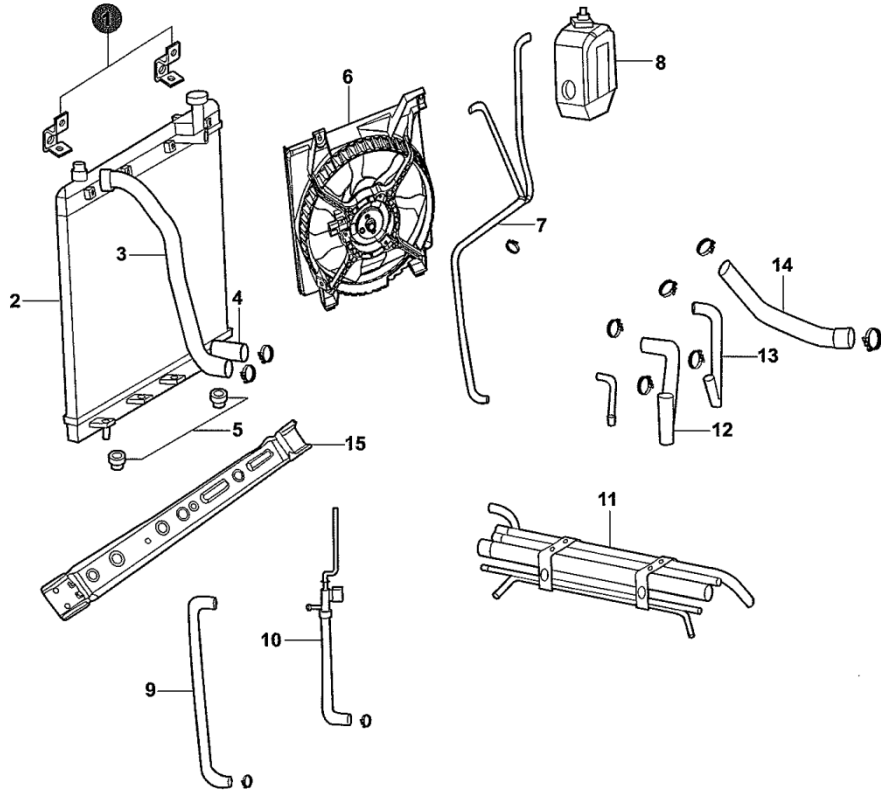




53104-10



53104-10			
COOLING SYSTEM			
1	M201098-0300	BRACKET, RADIATOR, UPPER	2
2	M201098-0100	RADIATOR ASSY	1
3	M201098-0104	HOSE, RADIATOR, INLET	1
4	M201098-0102	HOSE, RADIATOR, OULET	1
5	Y016-040	BRACKET, REDIATOR MOUNTING	2
6	F202098-0900	FAN ASSY, RADIATOR	1
7	M201098-0800	3 WAY	1
8	M201098-0900	WATER TANK	1
9	M201098-1000	HOSE, HEATER INLET	1
10	M201098-1200	JOINTING WITH TUBE, HEATER	1
11	M201098-1305	WATER PIPE ASSY, FLOOR	1
12	M201098-1600	HOSE, ENGINE TO HEATER	1
13	M201098-1700	WATER PIPE, ENGINE, OUTLET	1
14	M201098-1400	WATER PIPE, ENGINE, INLET	1
15	M201098-0201	BRACKET, WATER TANK	1
16	M201098-0311	HOSE, RADIATOR AIR OVERFLOW	1

2013-05