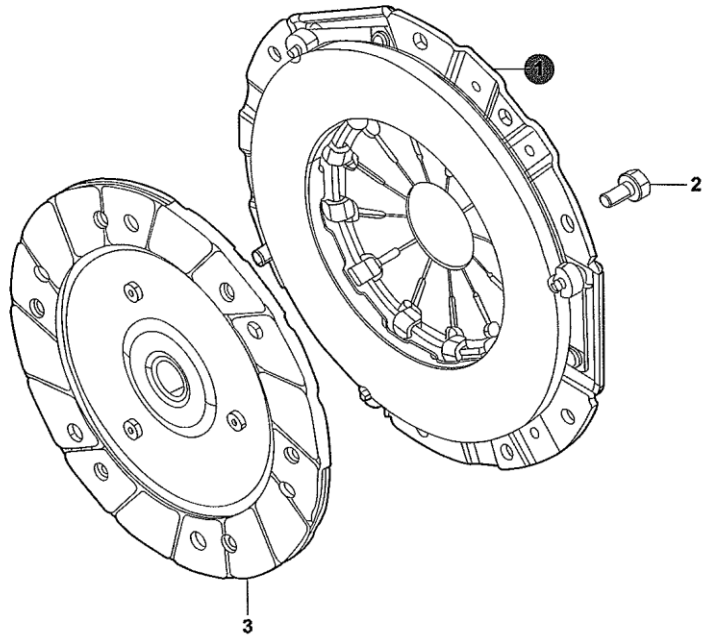




63402-10



63402-10_A			
CLUTCH			
1	EA015-0100	COVER ASSY, CLUTCH	1
2	EA015-0200	COMBINATION BOLT, CLUTCH COVER	6
3	EA015-0300	DISC ASSY, CLUTCH	1



2013-05