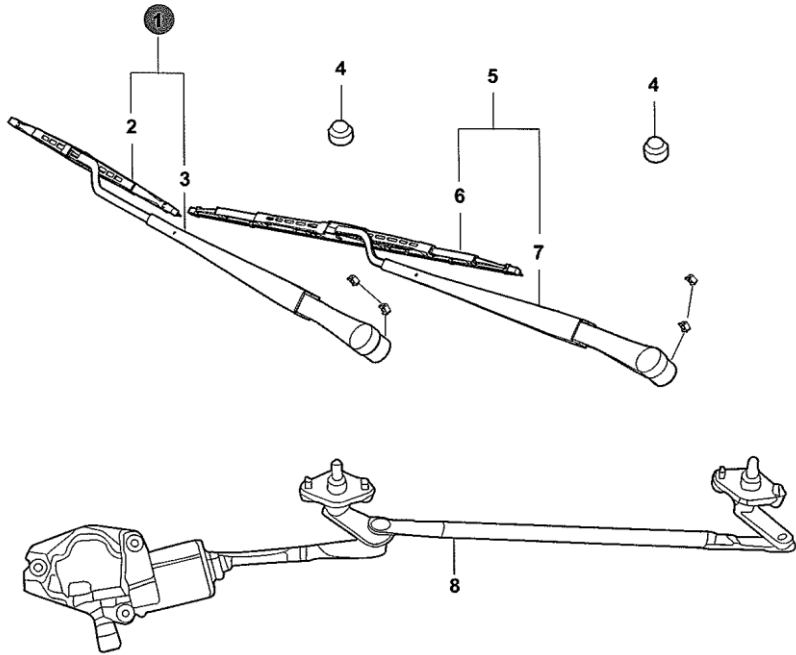
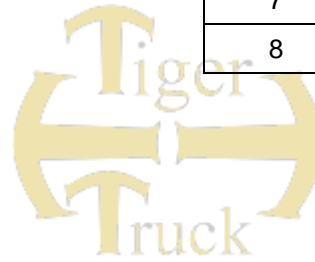




84307-10



84307-10			
WIPER			
ASSY			
1	M201099-0100	ARM AND BLADE ASSY, FR WIPER, SUB	1
2	M201099-0112	BLADE ASSY, FR WIPER, SUB	1
3	M201099-0111	ARM ASSY, FR WIPER SUB	1
4	Y038-080	CAP, WIPER ARM HOLE	2
5	M201099-0400	ARM AND BLADE ASSY, FR WIPER, MAIN	1
6	M201099-0412	BLADE, FR WIPER, SUB	1
7	M201099-0411	ARM, FR WIPER, SUB	1
8	M201099-0600	MOTOR AND ARM, FR WIPER	1



2013-02