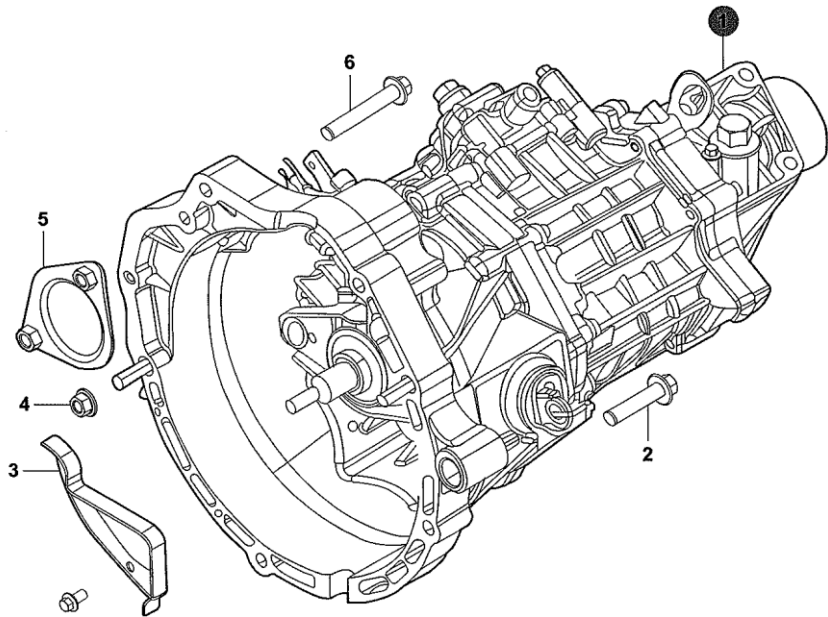
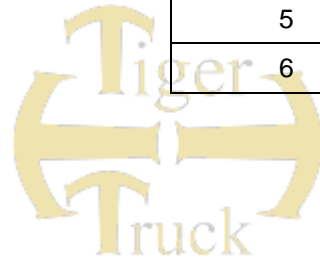




63401-00



63401-00_A TRANSMISSION ASSY AND ACCESSORIES			
1	YJ020-009	TRANSMISSION ASSY	1
2	EA016-0200	BOLT	4
3	EA016-0400	PLATE, TRANSMISSION DUSTPROOF	1
4	EA006-0500	NUT M10	2
5	EA016-0600	UPPER PLATE, CLUTCH	1
6	EA014-1100	BOLT M10x70	2



2013-05