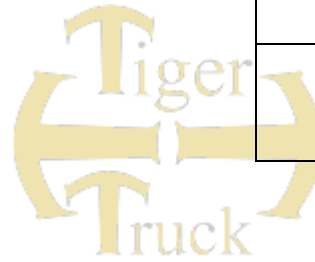
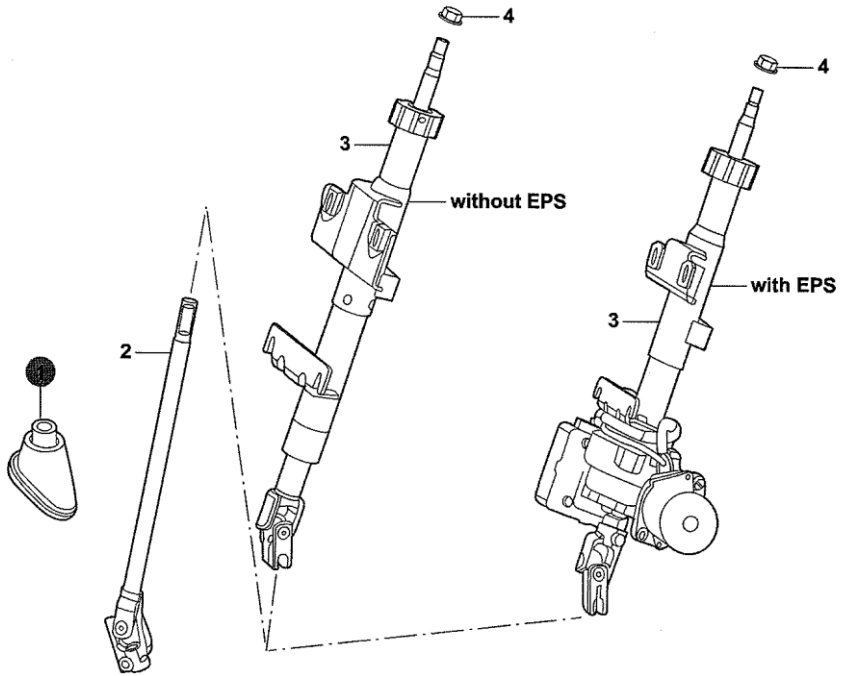




42404-11



42404-11			
STEERING SHAFT			
1	R101040-0600	DUSTPROOF COVER, STEERING SHAFT	1
2	M201040-0200	SHAFT ASSY, STEERING, LOWER	1
3	M201040-0100	SHAFT ASSY, STEERING, UPPER	1 (w/o EPS)
4	P050-0800	NUT	1

2013-05