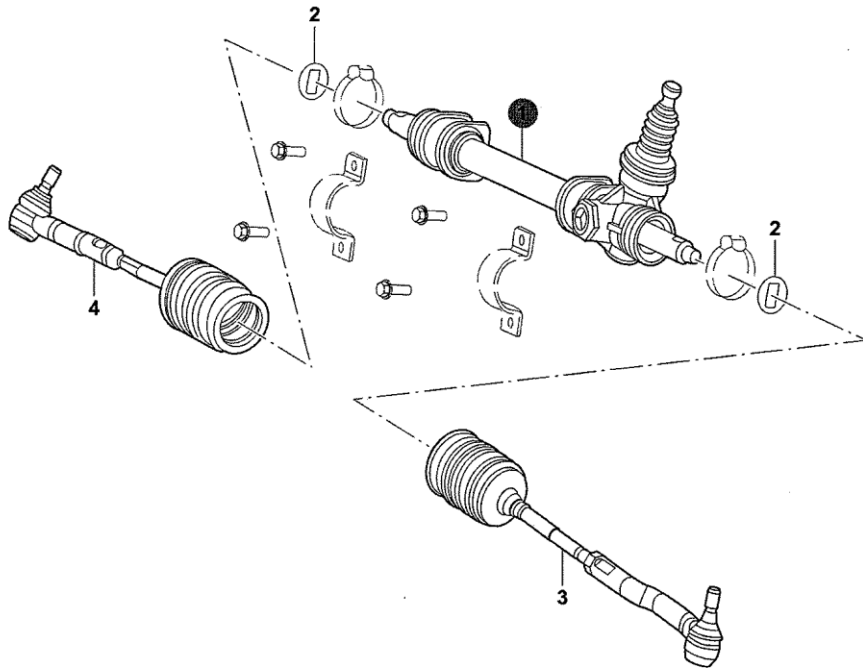




42402-20



42402-20			
STEERING GEAR ASSY			
1	M201041-0100	STEERING GEAR ASSY	1 (w/o EPS)
2	Y052-270	WASHER, STEERING TIE-ROD LOCK	2
3	F202041-0200	TIE-ROD ASSY, STEERING, LH	1
4	F202041-0300	TIE-ROD ASSY, STEERING, RH	1
5	M201062-0305	BRACKET, STEERING GEAR	1

2013-05

