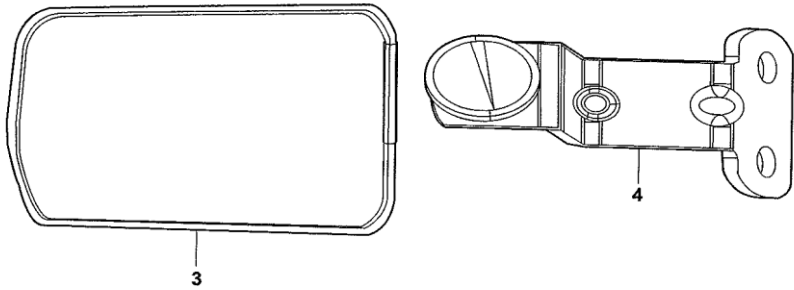
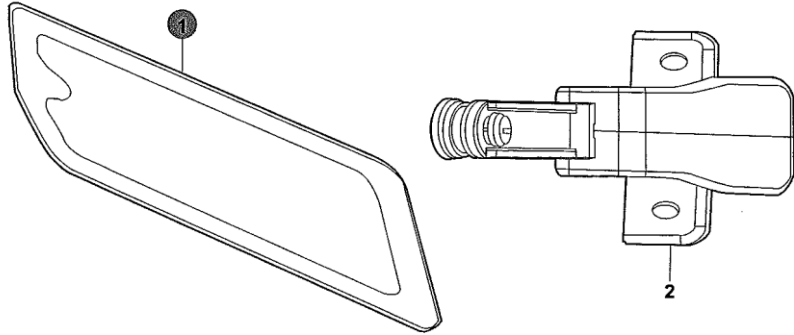




95102-70



95102-70 SIDE WINDOW GLASS			
1	M201059-0800	GLASS, SIDE WINDOW, LH	1
1	M201059-0801	GLASS, SIDE WINDOW, RH	1
2	M201059-0815	LOCK ASSY, SIDE WINDOW, LH	1
2	M201059-0816	LOCK ASSY, SIDE WINDOW, RH	1
3	M201059-0804	WEATHERSTRIP, RR SIDE WINDOW	2
4	M201059-0811	HINGE, RR SIDE WINDOW	4

2013-01