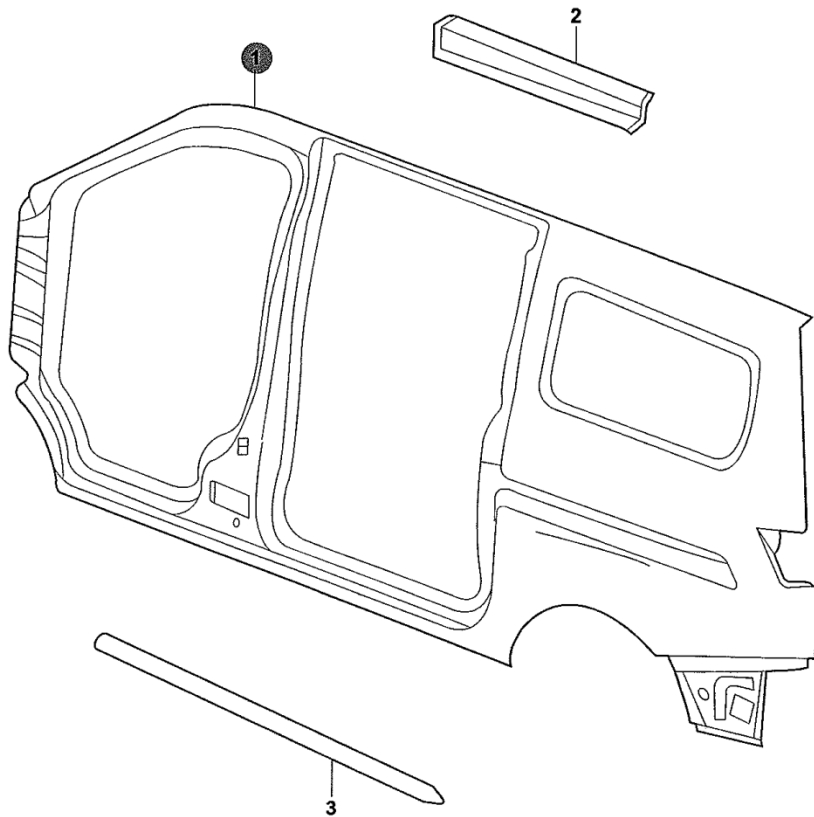




95202-40



95202-40 SIDE PANEL WELDING ASSY			
1	M201351-1600	PANEL ASSY, SIDE BODY, LH	1
1	M201351-1601	PANEL ASSY, SIDE BODY, RH	1
2	M201059-7800	REINF ASSY, UPPER RAIL, LH	1
2	M201059-7900	REINF ASSY, UPPER RAIL, RH	1
3	M201059-8003	WEATHERSTRIP, SIDE PANEL, LH	1
3	M201059-8004	WEATHERSTRIP, SIDE PANEL, RH	1



2013-05