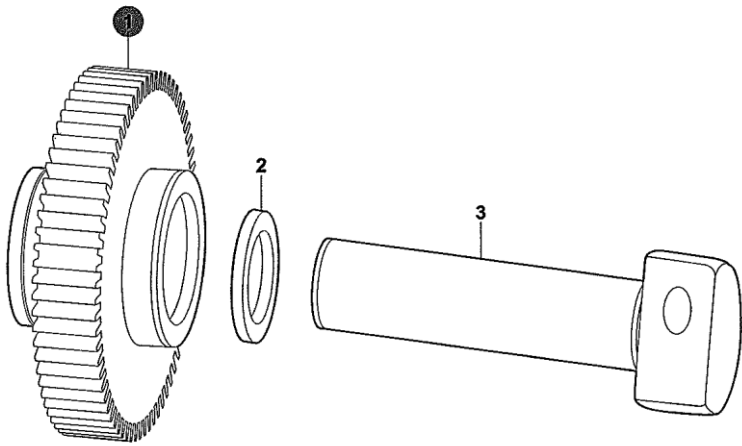




63403-90

63403-90_A SHAFT, REVERSE GEAR			
1	Y020-500	GEAR, REVERSE IDLE	1
2	PA025-1026	WASHER, REVERSE IDLE GEAR SHAFT	1
3	PA025-1025	SHAFT, REVERSE IDLE GEAR	1



2013-05