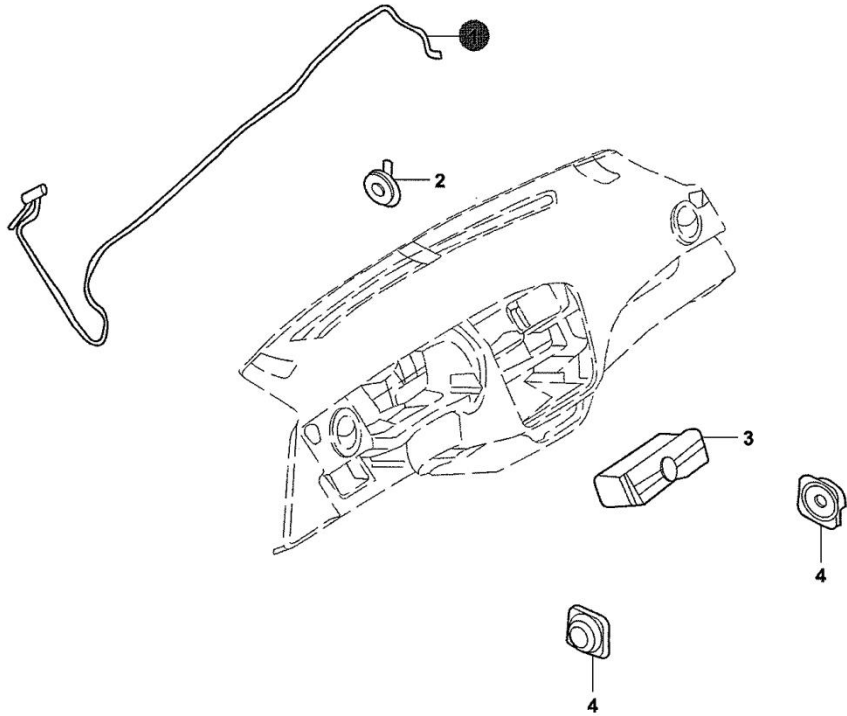




01101-10



84305-00 RADIO AND ANTENNA			
1	Y041-060	ANTENNA, AM/FM	1
2	MD201095-0600	HORN ASSY	1
3	MD201095-0003	RADIO ASSY	1



2013-05