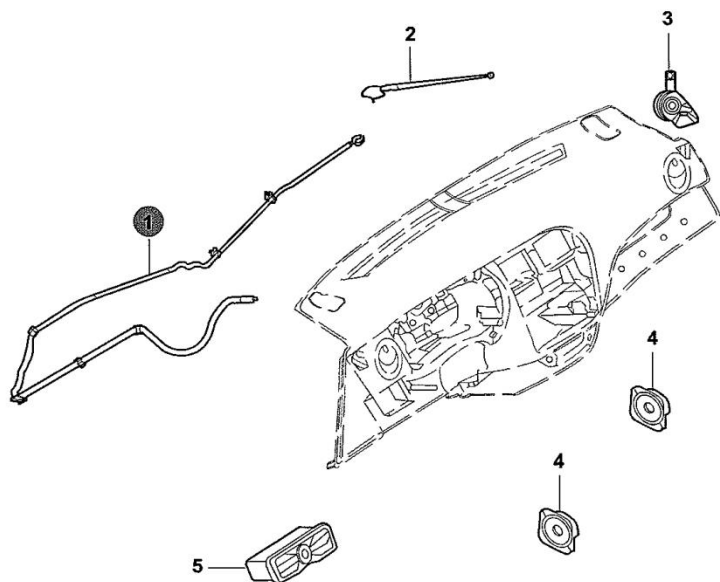




84305-10



|                   |              |                  |   |
|-------------------|--------------|------------------|---|
| 84305-10          |              |                  |   |
| RADIO AND ANTENNA |              |                  |   |
| 1                 | M201095-0200 | HARNESS, ANTENNA | 1 |
| 2                 | M201095-0100 | ANTENNA, AM/FM   | 1 |
| 3                 | M201095-0600 | HORN ASSY        | 1 |
| 4                 | M201095-0400 | SPEAKER ASSY     | 2 |
| 5                 | M201095-0302 | RADIO ASSY       | 1 |



2013-05