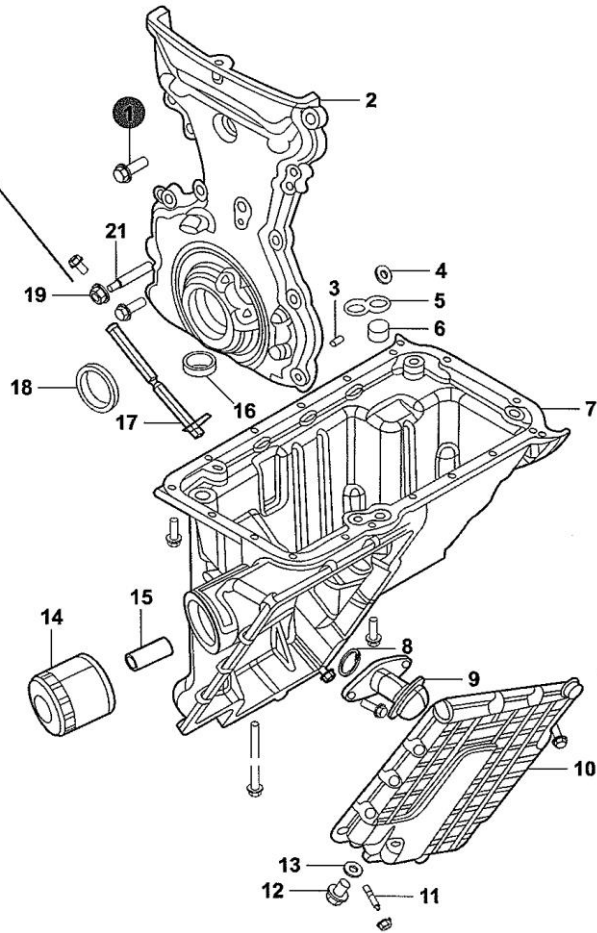




53103-20



53103-20_A OIL PUMP COVER ASSY ,TIMING BELT FRONT AND OIL SUMP ASSY				
1	EA008-0100	BOLT, FR TIMING COVER	5	
2	EA008-0202	OIL PUMP WITH FR COVER	1	used in vehicle which produced since 26th, Jun.,2014
3	Y006-200	PIN, FLYWHEEL	2	
4	EA008-0400	"O" RING, OIL-OUT	1	
5	EA008-0500	GASKET, OIL FILTER	1	
6	EA008-0600	LOCATING PIN, UPPER OIL PUMP	1	
7	EA008-0700	OIL PAN, UPPER	1	
8	EA008-0900	O-RING, OIL PUMP STRAINER	1	
9	EA008-1000	STRAINER, OIL PUMP	1	
10	EA008-1256	OIL PAN, LOWER	1	
11	EA008-1300	STUD, OIL PUMP	2	
12	EA008-1500	PLUG, OIL DRAIN	1	
13	EA008-1600	GASKET, OIL DRAIN PLUG	1	
14	EA008-1900	OIL FILTER ASSY	1	
15	EA008-2000	CONNECTING PIPE, OIL FILTER	1	
16	EA008-2200	GASKET	1	
17	EA008-2300	GUIDE, OIL LEVER GAUGE	1	
18	EA008-2400	OIL SEAL, CRANKSHAFT, FR	1	
19	EA006-0500	NUT M10	2	
20	EA008-2700	GAUGE, OIL LEVER	1	
21	EA008-2900	STUD, OIL PUMP COVER	1	

2013-05