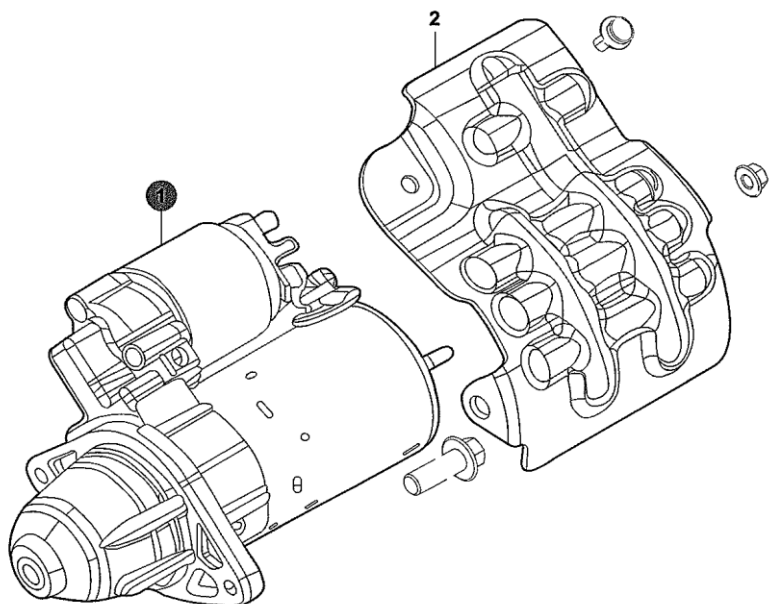




53109-10

53109-10_A MOTOR ASSY, STARTING AND ACCESSORIES			
1	EA017-0500	MOTOR ASSY, STARTING	1
2	EA017-0501	HEAT INSULATION, STARTING MOTOR	1



2013-05