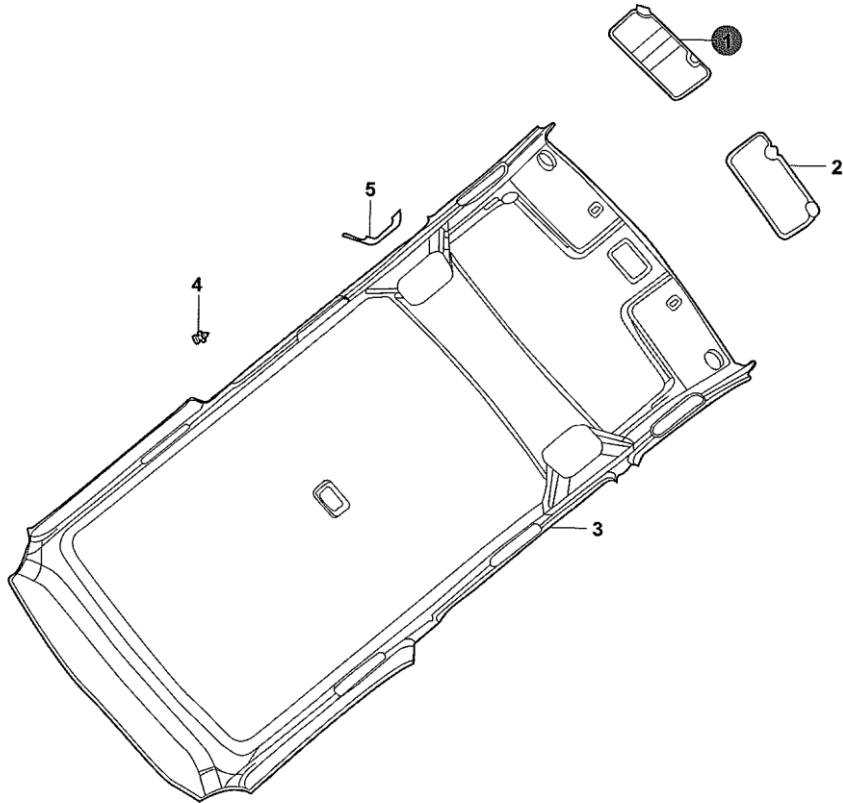
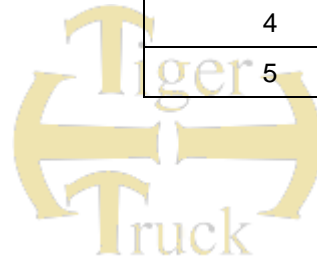




95109-21



95109-21 ROOF LINING,ASSISTANT GRIP,SUNVISOR				
1	M201078-0100	SUN VISOR ASSY, LH	1	
2	M201078-0300	SUN VISOR ASSY, RH	1	
3	M201078-0600	ROOF LINING	1	none A/C optional part
3	M201078-0700	ROOF LINING	1	A/C optional part
4	Y083-120	PLASTIC CLIP	28	
5	M201078-1100	SAFETY GRIP	3	



2013-05