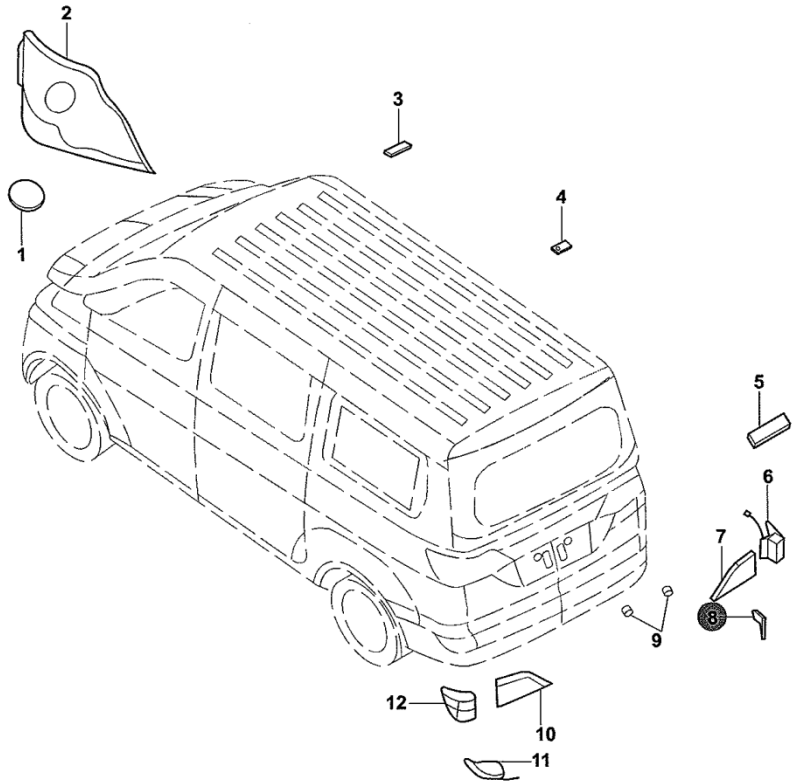
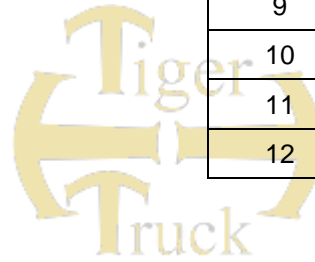




84306-00



84306-00			
LIGHT SYSTEM			
2	M201096-0100	LAMP ASSY, FR COMBINATION, LH	1
2	M201096-0200	LAMP ASSY, FR COMBINATION, RH	1
3	B201028-0400	LAMP ASSY, FR ROOF	1
6	M201096-0800	LAMP ASSY, RR COMBINATION, LH	1
7	M201096-0900	LAMP ASSY, RR COMBINATION, RH	1
8	M201096-1000	LAMP ASSY, RR DECORATIVE, LH	1
9	M201096-1100	LAMP ASSY, RR DECORATIVE, RH	1
10	M201096-1200	LAMP ASSY, REAR FOG, L	1
11	M201096-1300	LAMP ASSY, REAR FOG, R	1
12	Y034-090	LAMP ASSY, LICENSE	2



2013-05