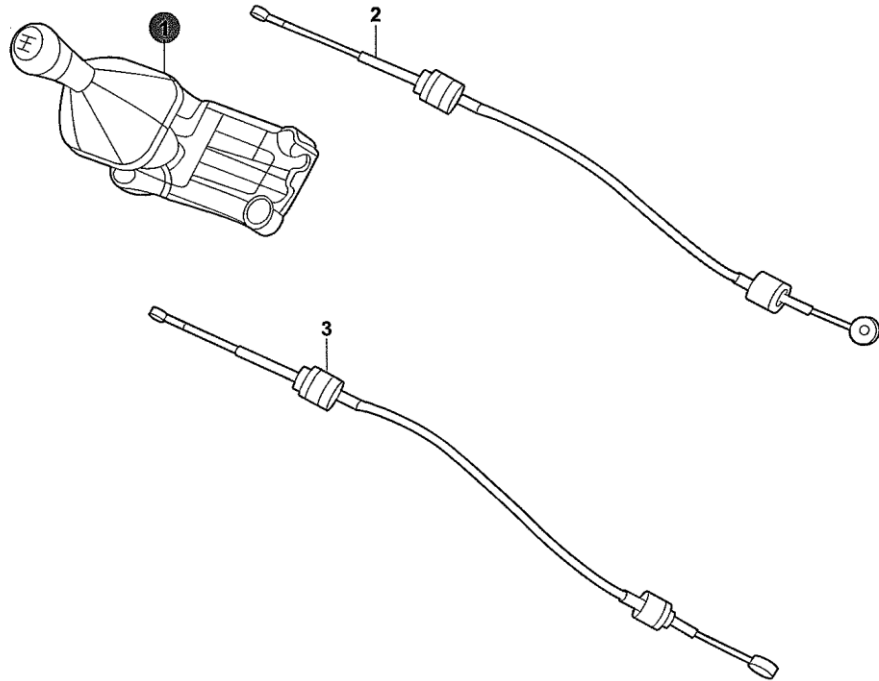




63404-10



63404-10 GEAR SHIFT CONTROL SYSTEM			
1	M201023-0100	LEVER ASSY, GEAR SHIFT CONTROLLER	1
2	M201023-0300	CABLE ASSY, GEAR SHIFT CONTROL	1
3	M201023-0200	CABLE ASSY, GEAR SELECT CONTROL	1



2013-05