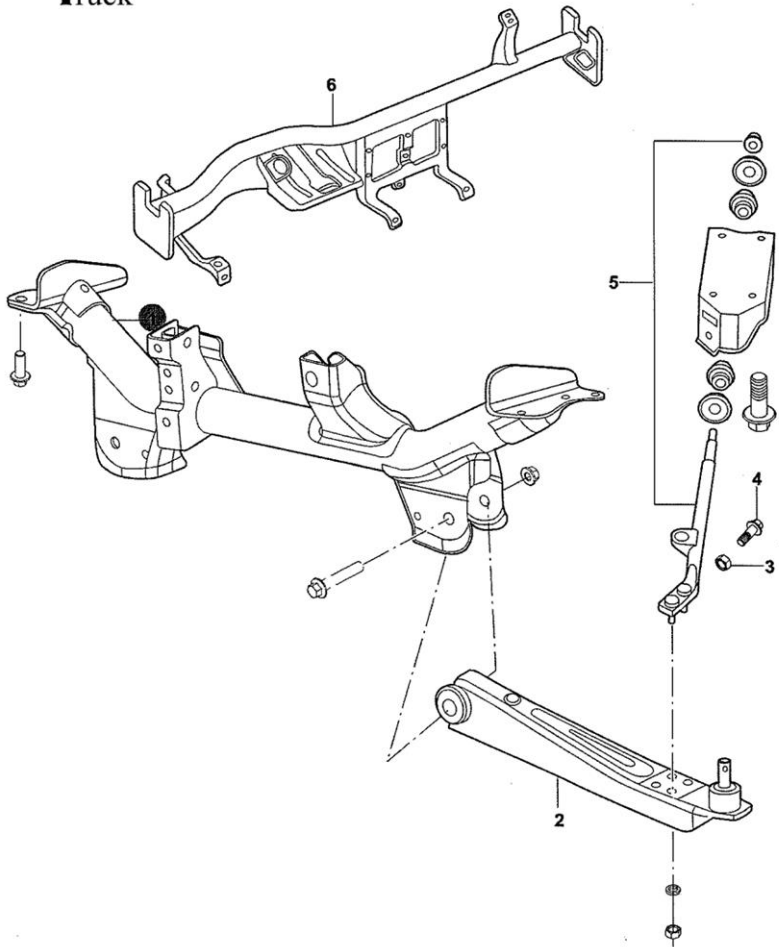




12102-10



2013-05

12102-10 FR SUSPENSION			
1	M201042-0130	FRAME ASSY, FR SUSPENSION	1
2	F202043-0401	ARM ASSY, FR SUSPENSION, RH	1
2	F202043-0400	ARM ASSY, FR SUSPENSION, LH	1
3	Y043-150	NUT M10	1
4	Y043-140	BOLT M10x1.25x50	1
5	F202042-0700	ROD ASSY, FR SUSPENSION, LH	1
5	F202042-0800	ROD ASSY, FR SUSPENSION, RH	1
6	M201042-0300	STEERING SUPPORT ASSY	1