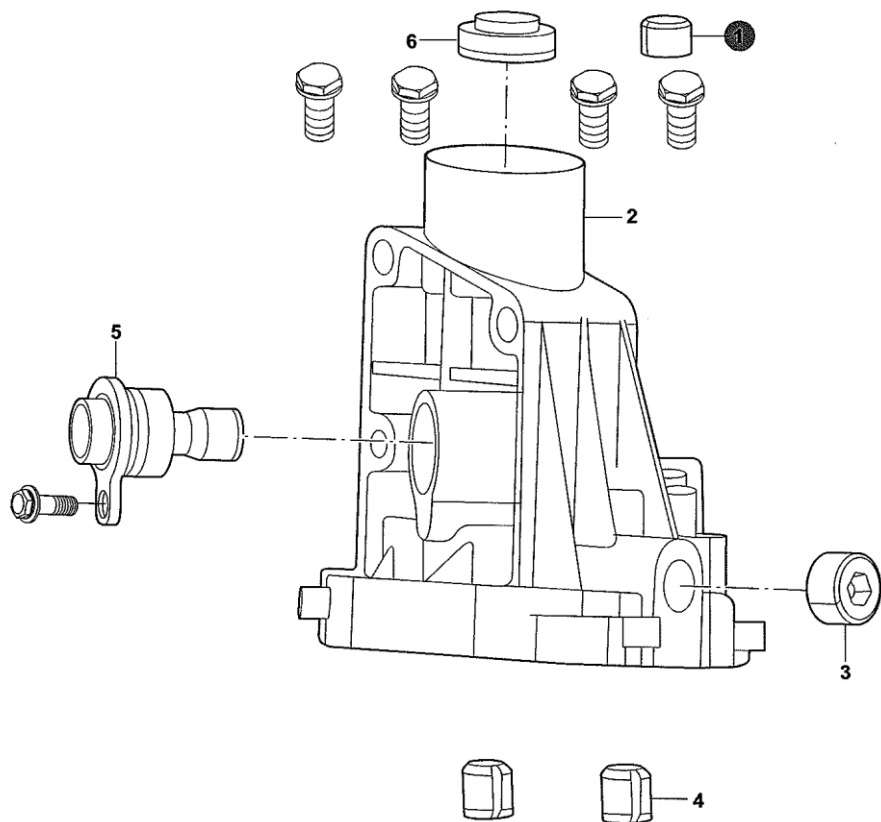
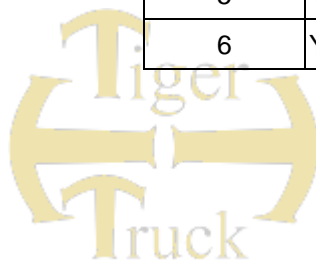




63403-61



63401-61_A			
EXTENSION CASE			
1	YA021-200	PLUG SCREW, OIL INLET	1
2	YJ023-0103	EXTENSION CASE, TRANSMISSION	1
3	YA021-210	PLUG, OIL DRAIN	1
4	YA021-020	KNOCK PIN	2
5	YJ020-615	GEAR, SPEED METER DRIVEN	1
6	YJ023-0505	OIL SEAL, TRANSMISSION RR	1



2013-05