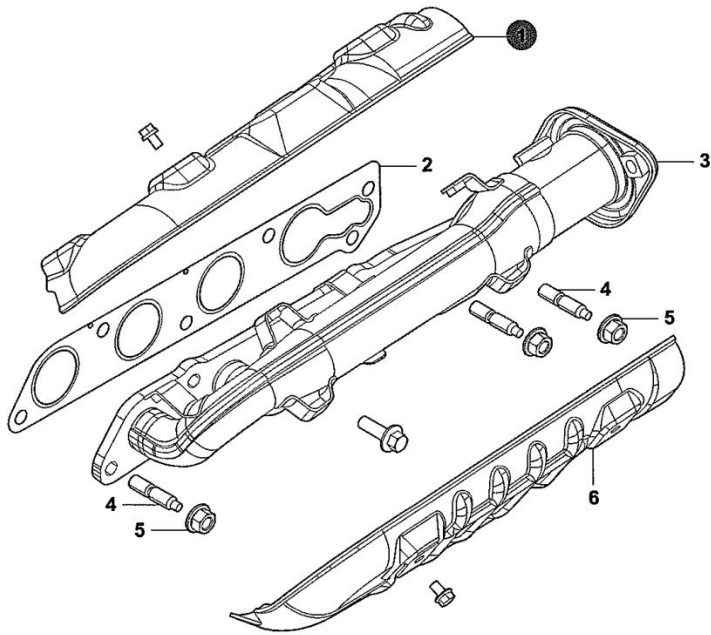




53106-10

53106-10_A EXHAUST MANIFOLD			
1	EA006-0100	INSULATOR, EXHAUST MANIFOLD,UPPER	1
2	EA006-0200	GASKET, EXHAUST MANIFOLD	1
3	EA006-0300	MANIFOLD, EXHAUST	1
4	EA006-0400	BOLT, EXHAUST MANIFOLD	3
5	EA006-0500	NUT M10	2
6	EA006-0600	INSULATOR, EXHAUST MANIFOLD, LOWER	1



2013-05