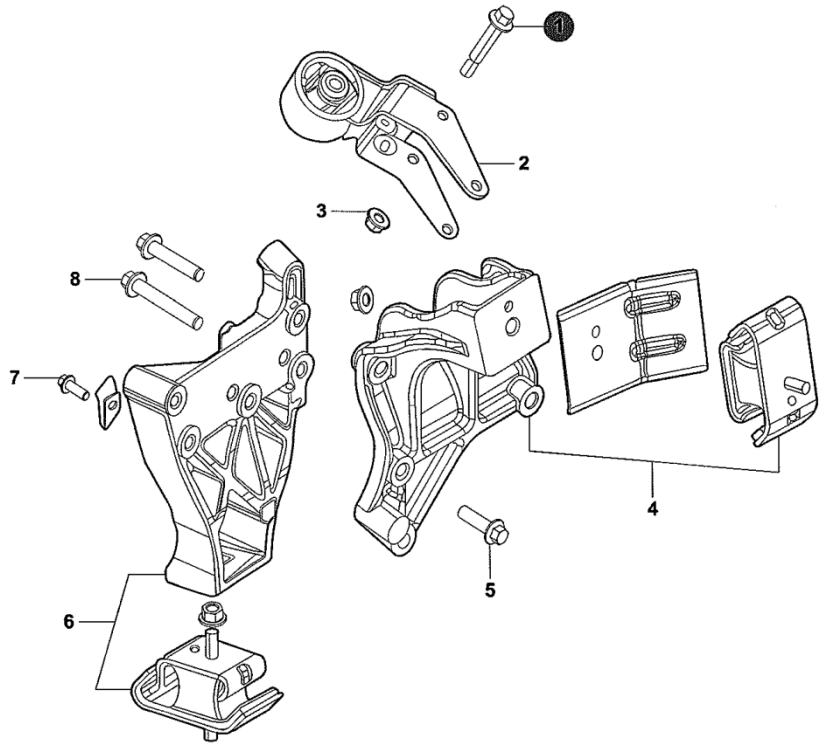




53101-20



53101-20_A			
ENGINE BRACKET			
1	EA014-0100	BOLT, RR ENGINE SUSPENSION	2
2	EA014-0200	BRACKET ASSY, ENGINE MOUNTING, RR	1
3	EA006-0500	NUT M10	1
4	EA014-0402	BRACKET ASSY, ENGINE MOUNTING, LH	1
5	EA014-0700	BOLT M10x40	5
6	EA014-0401	BRACKET ASSY, ENGINE MOUNTING, RH	1
7	EA014-1100	BOLT M10x70	4
8	EA014-1200	BOLT M10x50	1
9	M201021-0500	BRACKET, ENGINE, RH	1
9	M201021-0510	BRACKET, ENGINE, LH	1
10	M201022-0000	SUPPORT, ENGINE	1
11	M201022-0001	PROTECT SHIELD, OIL PAN	1

2013-05