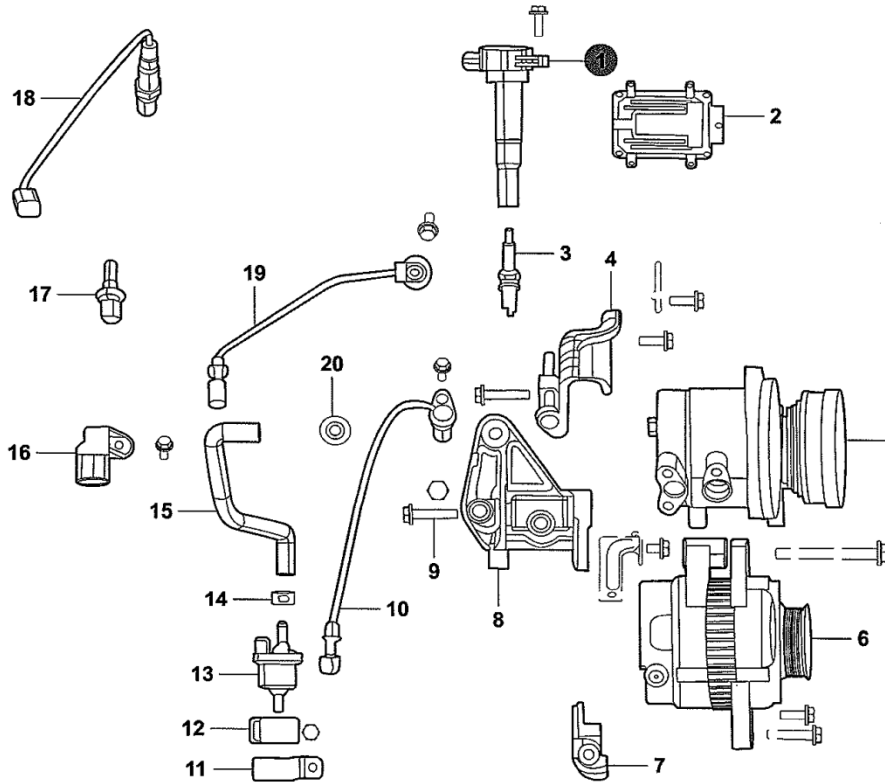




53101-30



2013-05

53101-30_A				
ELECTRICAL				
EQUIPMENTS				
1	EA012-0200	COIL, IGNITION	4	
2	M201010-0101	ECU	1	
3	EA012-0400	SPARK PLUG	4	
4	EA012-1000	BRACKET, COMPRESSOR	1	A/C optional part
5	EA012-1100	COMPRESSOR ASSY	1	A/C optional part
6	EA012-1400	GENERATOR ASSY	1	
7	EA012-1700	BRACKET, GENERATOR	1	
8	EA012-1900	BRACKET ASSY, GENERATOR	1	
9	EA012-2000	BOLT, COMPRESSOR BRACKET	2	A/C optional part
10	EA012-2200	SENSOR ASSY, CRANKSHAFT POSITION	1	
11	EA012-2400	BRACKET, CANISTER VALVE	1	
12	YJ018-272	JACKET, CANISTER CONTROL VALVE	1	
13	YC018-271	VALVEASSY, CANISTER, CONTROL	1	
14	K014-1110	CLIP, THROTTLE	6	
15	EA012-2800	HOSE, CANISTER VALVE	1	
16	H15008-0200	SENSOR, INTAKE AIR TEMPERATURE	1	Used in vehicle which produced since 17th,Mar.,2014
17	YC010-180	SENSOR, WATER TEMPERATURE	1	
18	K010-0401	SENSOR, OXYGEN BACKWARD	1	
19	PA010-2001	SENSOR, KNOCKING	1	
20	EA012-3500	ALARM ASSY, OIL PRESSURE	1	