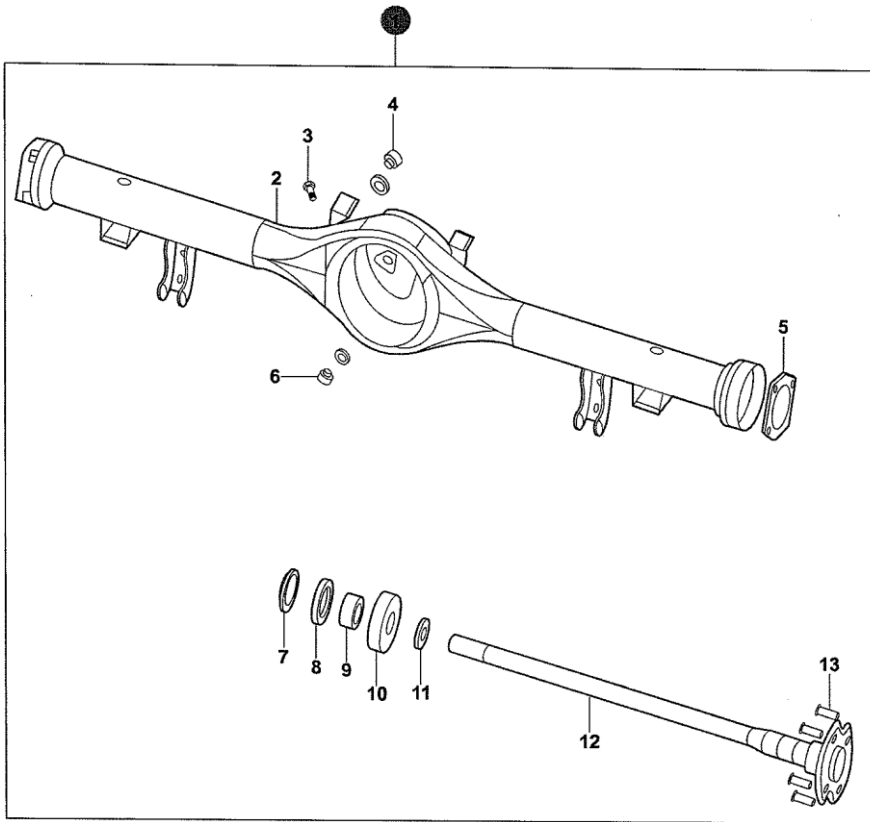




22203-20



| | | | |
|----------|--------------|-----------------------------|---|
| 22203-20 | | | |
| REAR | | | |
| AXLE | | | |
| 1 | M201027-1400 | RR AXLE ASSY | 1 |
| 2 | M201027-0100 | HOUSING COMP, RR AXLE | 1 |
| 3 | M201027-0101 | PLUG, AIR | 1 |
| 4 | Y047-050 | PLUG AND GASKET, OIL FILLER | 1 |
| 5 | M201027-0105 | PLATE, BEARING | 2 |
| 6 | Y047-070 | PLUG AND GASKET, OIL DRAIN | 1 |
| 7 | CM10030-1600 | HOLDER, OIL SEAL | 2 |
| 8 | M201027-0109 | OIL SEAL, RR AXLE | 2 |
| 9 | CM10030-1400 | RETAINER RING, RR AXLE | 2 |
| 10 | M201027-1100 | BEARING, RR AXLE | 2 |
| 11 | CM10030-1200 | SPACER, RR AXLE | 2 |
| 12 | M201027-1300 | HALF SHAFT ASSY, RR AXLE | 2 |
| 13 | M201027-0114 | BOLT, WHEEL | 8 |

2013-05