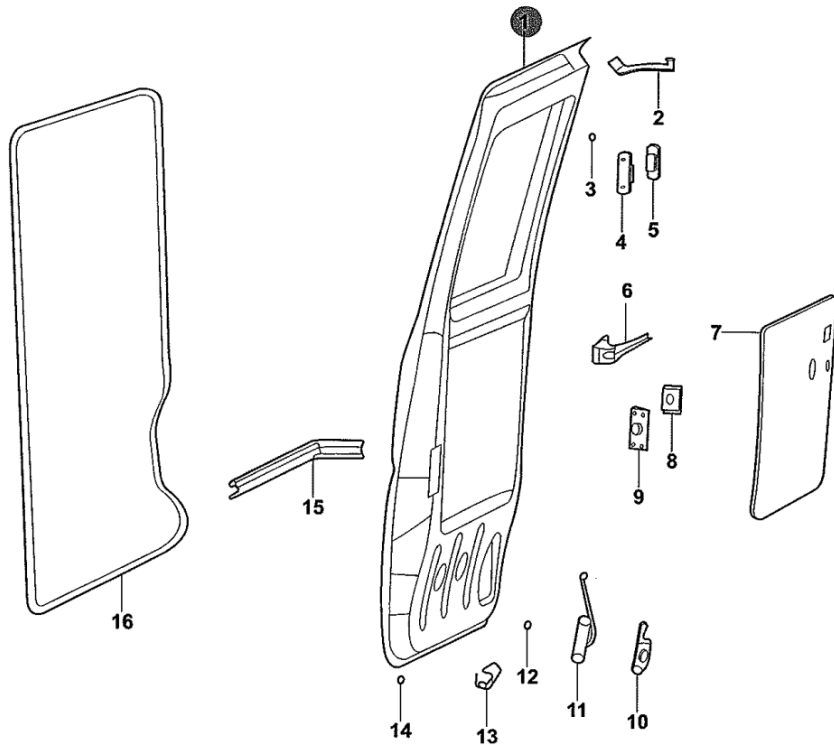




95102-30



95102-30 RR DOOR AND INNER PART				
1	M201EV01-0120	PANEL ASSY, RR DOOR, LH	1	Used in blind van
1	M201EV01-0121	PANEL ASSY, RR DOOR, RH	1	Used in blind van
2	M201059-0300	ARM, RR DOOR UPPER, LH	1	
2	M201059-0400	ARM, RR DOOR UPPER, RH	1	
3	Y085-100	ABSORBER CUSHION, RR DOOR	2	
4	F202059-0300	STOPPER, RR DOOR CLOSE (DOOR)	4	
5	F202051-0200	STOPPER, RR DOOR CLOSE (BODY)	3	
6	M201059-2101	MIDDLE HINGE, RR DOOR, LH	1	
6	M201059-2201	MIDDLE HINGE, RR DOOR, RH	1	
7	M201EV01-0052	TRIM BOARD, RR DOOR INNER, LH	1	Used in blind van
7	M201EV01-0053	TRIM BOARD, RR DOOR INNER, RH	1	Used in blind van
8	M201059-5200	RR DOOR HOLD (BODY)	2	
9	M201059-5000	RR DOOR HOLD (DOOR)	2	
10	F202094-0200	STOPPER, RR DOOR, LH	2	
11	F202094-0300	STOPPER, CENTER PILLAR, LH	2	
12	Y085-100	ABSORBER CUSHION, RR DOOR	2	
13	M201059-6600	SPRING, RR DOOR OPEN STOP, LH	1	
13	M201059-6700	SPRING, RR DOOR OPEN STOP, RH	1	
14	S101128-1900	HERMETIC COVER	8	
15	M201059-4100	ASSY RAIL REAR DOOR CENTER L	1	
15	M201059-4200	ASSY RAIL REAR DOOR CENTER L	1	
16	M201059-8001	WEATHERSTRIP, RR DOOR OPENING, RH	1	
16	M201059-8002	WEATHERSTRIP, RR DOOR OPENING, LH	1	

2013-05