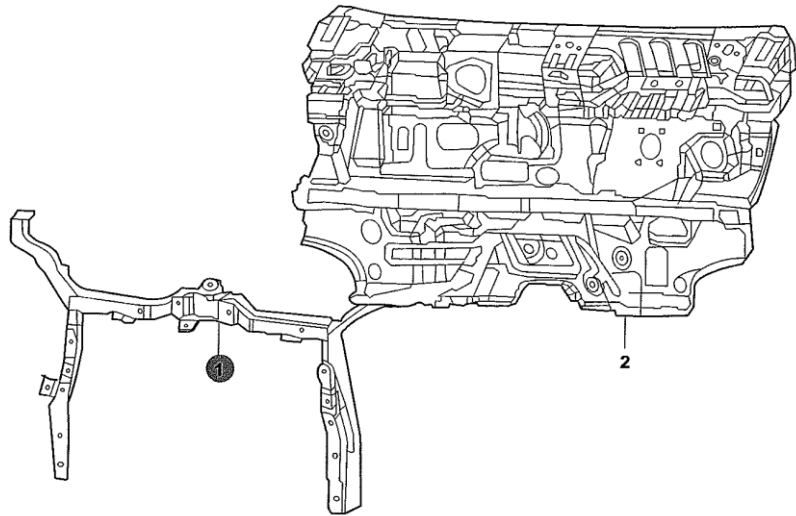




95201-50



95201-50 FR UPPER MEMBER AND DASH PANEL				
1	M201053-0100	UPPER MEMBER, FR	1	
2	M201053-0200	DASH PANEL ASSY	1	A/C optional part
2	M201053-1600	DASH PANEL ASSY	1	none A/C optional part
3	M201083-1009	REINF, DASH PANEL SIDE, LH	1	
3	M201083-1008	REINF, DASH PANEL SIDE, RH	1	
4	M201083-1012	SIDE PIECE, DASH PANEL, LH	1	
4	M201083-1013	SIDE PIECE, DASH PANEL, RH	1	
5	M201012-1401	MUDGUARD, ENGINE, RH	1	
6	M201012-1402	MUDGUARD, ENGINE, RR	1	
7	M201084-0800	MEMBER ASSY, ENGINE ROOM, CENTER	1	

2013-05