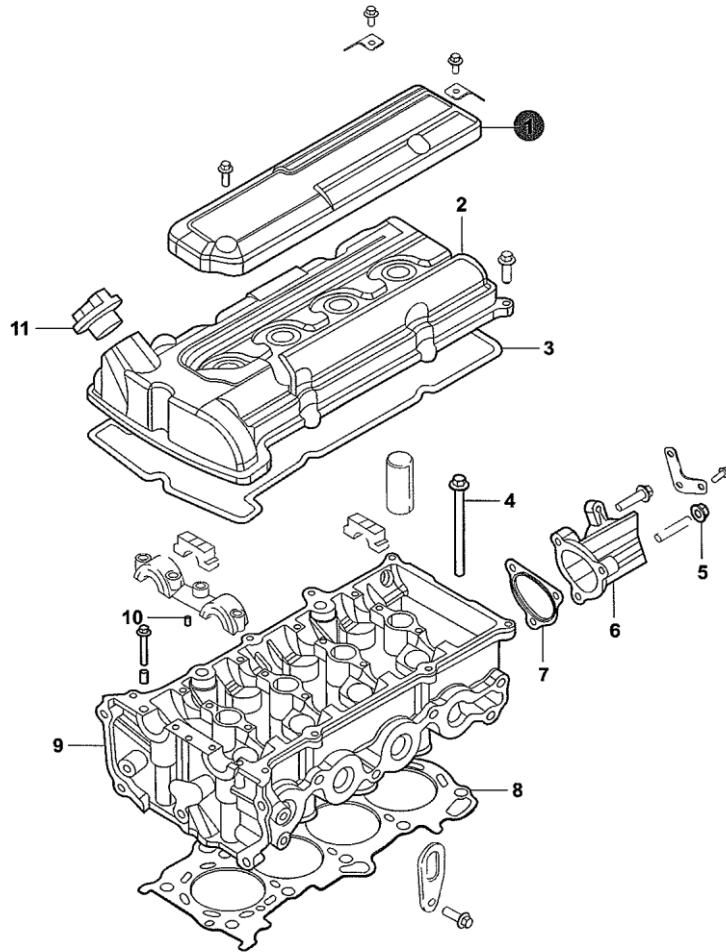




53102-10



53102-10_A				
CYLINDER HEAD AND COVER				
1	EA003-0300	TRIM COVER, ENGINE	1	
2	EA003-0400	COVER, CYLINDER HEAD	1	
3	EA003-0600	GASKET, CYLINDER HEAD COVER	1	
4	EA003-0900	BOLT, CYLINDER HEAD	10	
5	EA003-1300	NUT	2	
6	EA003-1500	SEAT, WATER OUTLET	1	
7	EA003-1600	GASKET, WATER OULET SEAT	1	
8	EA003-1700	GASKET, CYLINDER HEAD	1	
9	EA003-2001	HEAD ASSY, CYLINDER	1	Used in vehicle which produced since 17th,Mar.,2014
10	EA003-2300	PLUG, PRESSURE OIL	1	
11	H15001-0100	CAP, OIL FILLER	1	

2013-05