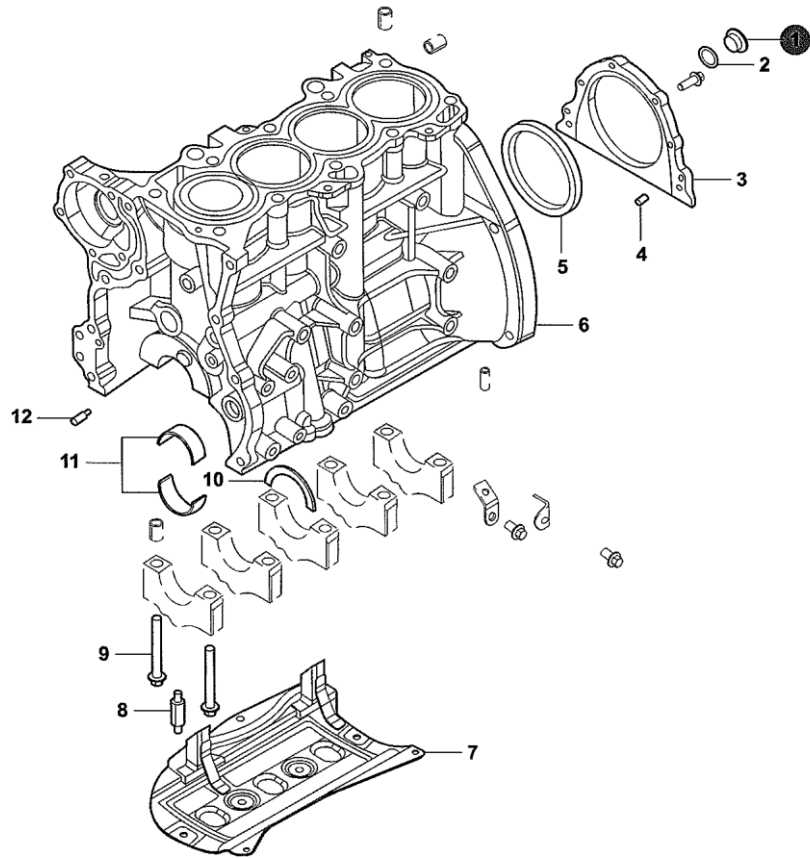




53102-20



53102-20_A				
CRANKCASE				
1	EA002-0100	PLUG	2	
2	EA002-0200	WASHER	2	
3	EA002-0400	BACK-END COVER, CRANKSHAFT	1	
4	Y006-200	PIN, FLYWHEEL	2	
5	EA002-0600	OIL SEAL, CRANKSHAFT, RR	1	
6	EA002-0701	CRANKSHAFT CASE	1	used in vehicle which produced since 26th, Jun.,2014
7	EA002-1700	PLATE, OIL PAN BAFFLE	1	
8	EA002-2000	STUD M6x49.5	4	
9	EA002-2100	BOLT	10	
10	EA002-2510	THRUST WASHER, CRANKSHAFT	2	
11	YJ060-0903	BEARING GROUP, CRANKSHAFT	1 set	
12	EA002-2600	FUEL NOZZLE, TIMING CHAIN	1	

2013-05