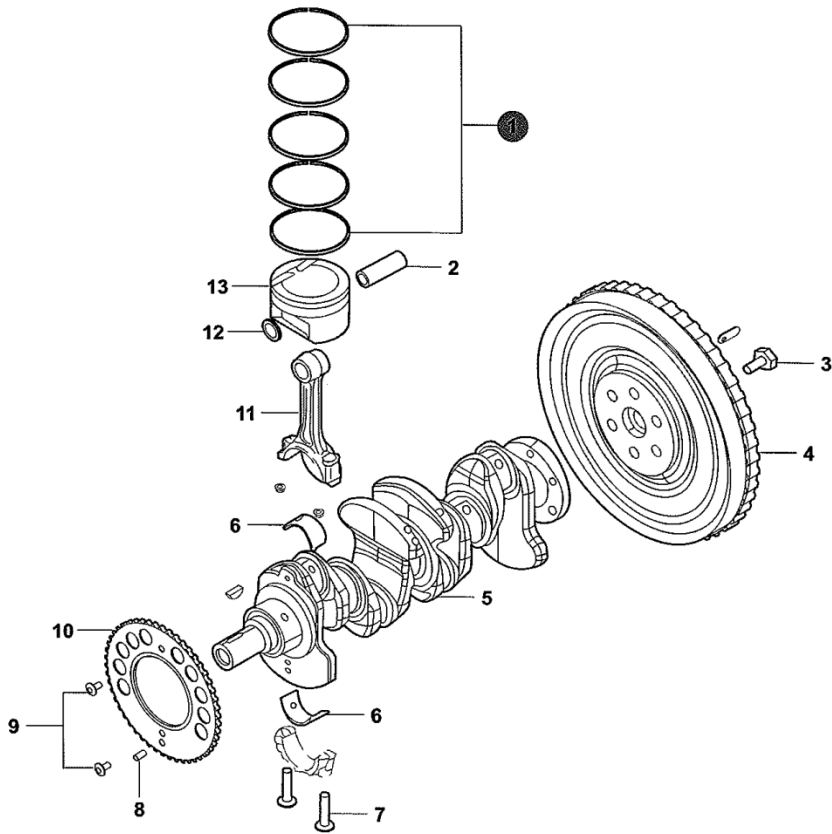




53102-31



53102-31_A				
<b>CRANKSHAFTS AND CONNECTING RODS SYSTEM</b>				
1	EA004-0100	PISTON RING SET	1 set	
2	EA004-0410	PISTION PIN SET	1 set	
3	EA004-0600	BOLT, FLYWHEEL	6	
4	EA004-0700	FLYWHEEL ASSY	1	
5	EA004-0800	CRANKSHAFT	1	
6	EA004-0900	BEARING COMP, CONNECTING ROD	1 set	
7	EA004-1100	BOLT, CONNECTING ROD	8	
8	EA004-1200	LOCATING PIN, SIGNAL PLATE	1	
9	EA004-1300	BOLT, SIGNAL PLATE	2	
10	EA14004-1400	SPEED SIGNAL PLATE, CRANKSHAFT	1	Used in vehicle which produced since 17th,Mar.,2014
11	EA004-1197	ROD ASSY, CONNECTING	4	
12	EA004-1800	CHUCK, PISTON PIN	8	
13	EA004-1900	PISTON SET	4	

2013-05