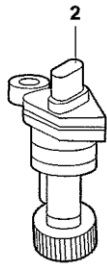
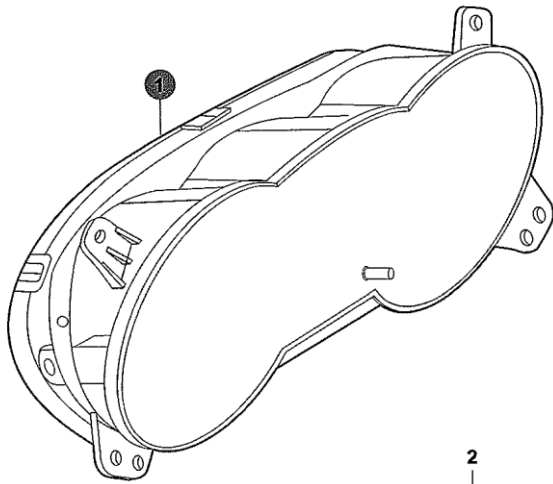




84302-10

84302-10 COMBINATION METER			
1	M201101-0104	METER ASSY, COMBINATION	1
2	R101101-0200	SENSOR, SPEED	1



2013-05