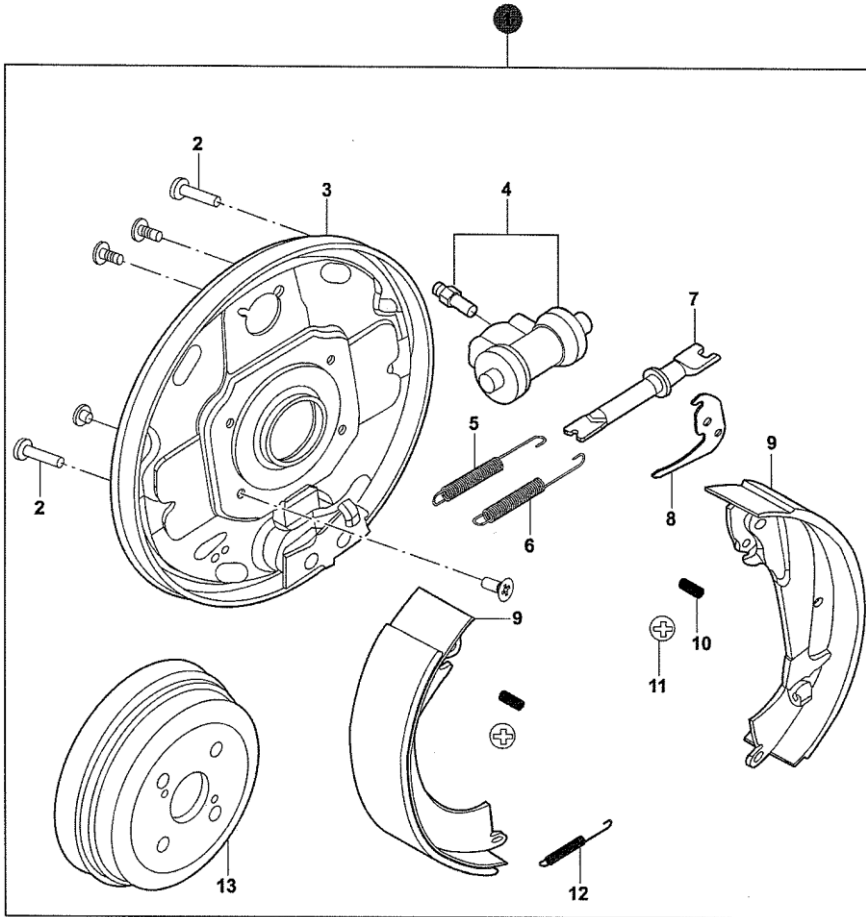




32302-10



32302-10			
RR BRAKE			
1	M201037-0100	RR BRAKE ASSY, LH	1
1	M201037-0101	RR BRAKE ASSY, RH	1
2	M201037-0200	PLATE ASSY, RR WHEEL BRAKE, LH	1
2	M201037-0201	PLATE ASSY, RR WHEEL BRAKE, RH	1
3	M201037-0300	PIN, SHOE HOLD	4
4	M201037-0500	CYLINDER ASSY, RR BRAKE, LH	1
4	M201037-0501	CYLINDER ASSY, RR BRAKE, RH	1
5	M201037-0301	RETURN SPRING, UPPER	2
6	M201037-0302	SPRING, SHOE RETURN UPPER, LH	2
7	M201037-0303	ANCHOR, ADJUST BRAKE SHOE, LH	1
7	M201037-0304	ANCHOR, ADJUST BRAKE SHOE, RH	1
8	M201037-0305	BOARD, BRAKE SHOE ADJUST, LH	1
8	M201037-0306	BOARD, BRAKE SHOE ADJUST, RH	1
9	M201037-1600	SHOE ASSY, RR BRAKE, LH	1
9	M201037-1700	SHOE ASSY, RR BRAKE, RH	1
10	M201037-1100	SPRING, BRAKE SHOE HOLD	4
11	M201037-1200	SEAT, BRAKE SHOE HOLD SPRING	4
12	M201037-0307	SPRING, LOWER SHOE RETURN	2
13	M201037-1500	DRUM ASSY, RR BRAKE	2

2013-05