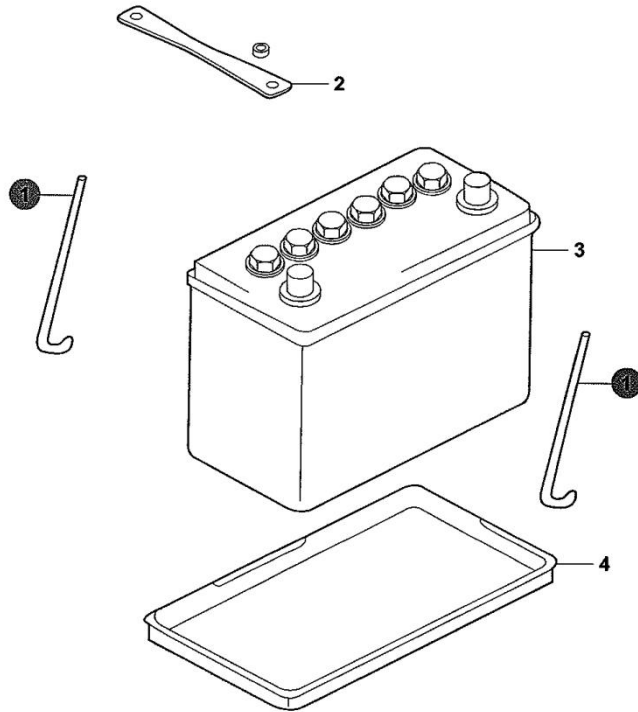




53110-10



|                |              |                              |   |
|----------------|--------------|------------------------------|---|
| 53110-10_A     |              |                              |   |
| <b>BATTERY</b> |              |                              |   |
| 1              | Y063-240     | BOLT, BATTERY HOLDING        | 2 |
| 2              | M201087-1000 | PLATE, BATTERY HOLDING       | 1 |
| 3              | Y030-011     | BATTERY ASSY                 | 1 |
| 4              | Y030-050     | BRACKET, BATTERY             | 1 |
| 5              | B301025-1000 | HEAT INSULATION MAT, BATTERY | 1 |



2013-05