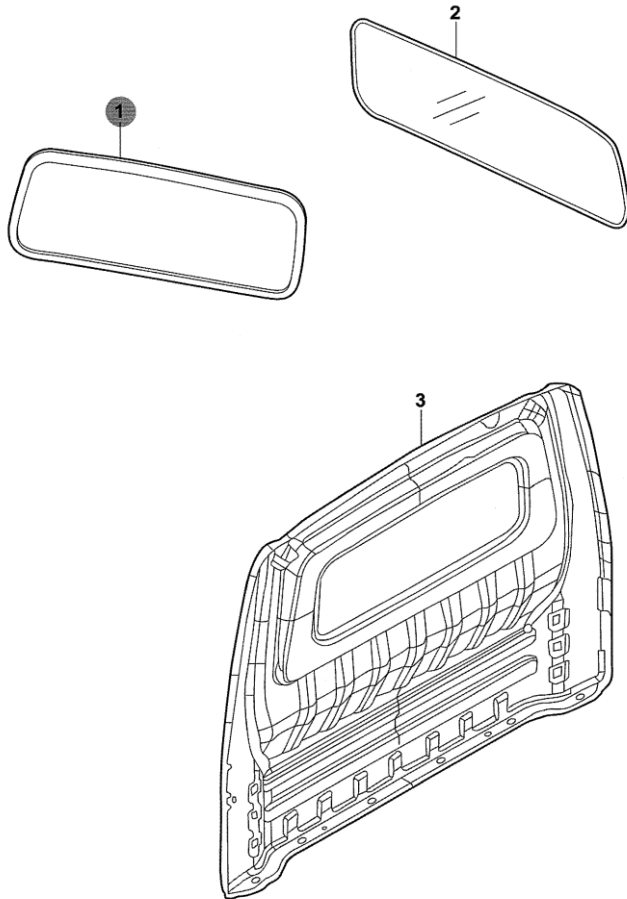




95202-50



95202-50 BACK PANEL			
1	MD201070-0005	WEATHERSTRIP, BACK DOOR WINDOW	1
2	MD201070-0004	GLASS, BACK PANEL	1
3	MD201070-0002	BACK PANEL ASSY	1



2013-04