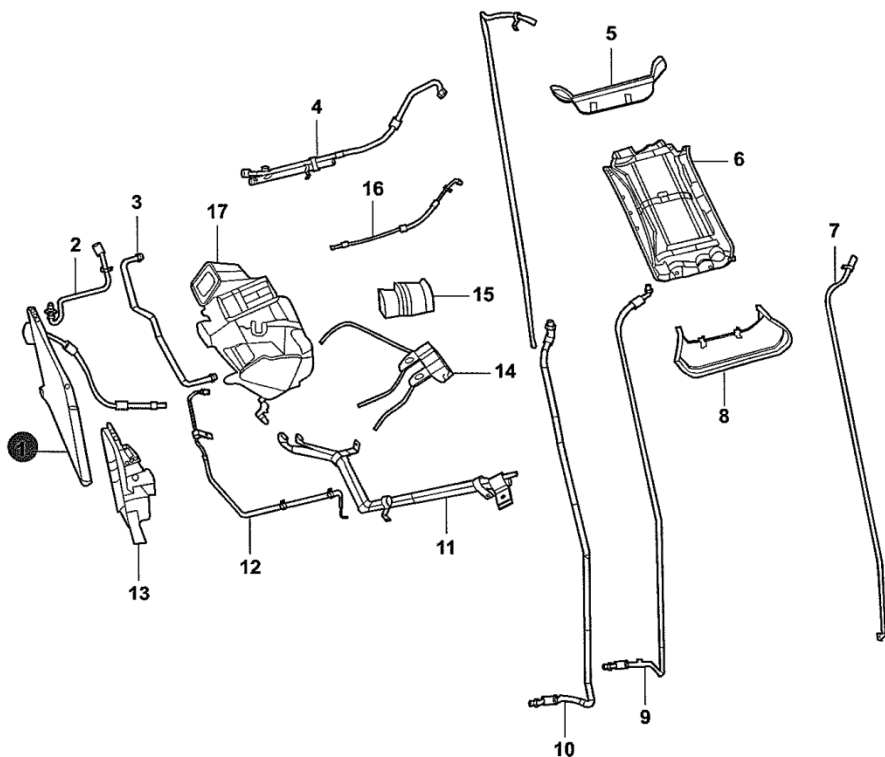




74101-10



2013-05

74101-10				
A/C				
SYSTEM				
1	M201093-0100	CONDENSER ASSY, A/C	1	A/C optional part
3	M201093-0600	HOSE, FR EVAPORATOR, OUTLET	1	A/C optional part
4	MS201093-2100	HOSE ASSY, DISCHARGE, NO.1(HIGH PRESSURE)	1	A/C optional part
12	MD201093-0005	HOSE, FR EVAPORATOR, INLET	1	A/C optional part
13	F202098-0800	FAN, CONDENSER	1	A/C optional part
14	M201093-1400	CONTROLLER ASSY, A/C	1	A/C optional part
14	M201093-1401	CONTROLLER ASSY, A/C	1	none A/C optional part
15	EA012-1100	COMPRESSOR ASSY	1	A/C optional part
16	MD201093-0017	HOSE ASSY, SUCTION, NO.1(LOW PRESSURE)	1	A/C optional part
17	M201093-1000	HVAC (HEATING, VENTILATING AND A/C)	1	A/C optional part
17	M201093-1001	HVAC (HEATING, VENTILATING AND A/C)	1	none A/C optional part