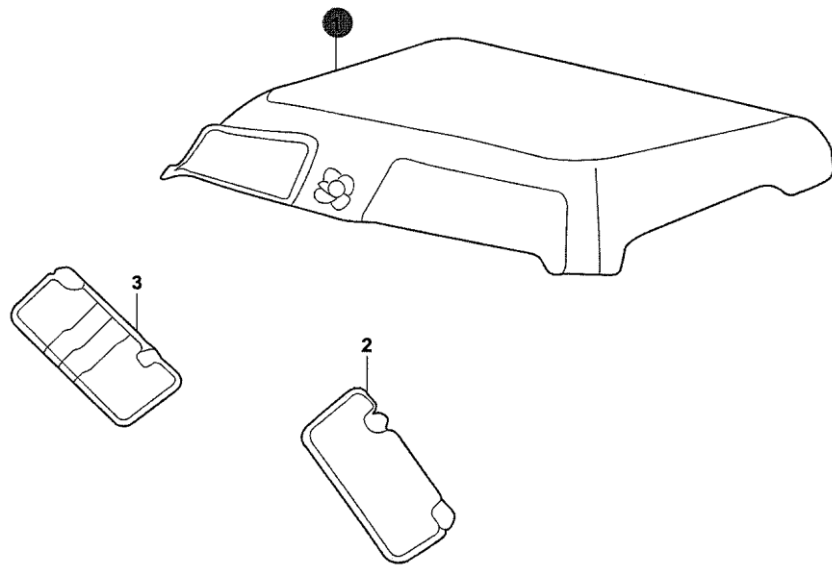




95109-21



95109-21 ROOF LINING,SUNVISOR			
1	MS201084-0600	ROOF LINING	1
2	M201078-0100	SUN VISOR ASSY, LH	1
3	M201078-0300	SUN VISOR ASSY, RH	1
4	M201078-1100	SAFETY GRASP	3



2013-04